



ROBEX 140W-7

Standard Equipment

ISO standard cab

- All-weather steel cab with all-around visibility
- Safety glass windows
- Rise-up type windshield wiper
- Sliding fold-in front window
- Sliding side window
- Lockable door
- Hot & cool box
- Accessory box & Ash-tray

Computer Aided Power Optimization (New CAPO) system

- 2-power mode, 3-work mode, 2-user mode
- Auto deceleration & one touch deceleration system
- Auto warm up system
- Auto overheat prevention system

Heater(7500 kcal/hr, 30000BTU/hr) & Defroster

Self diagnostic system

Centralized monitoring

- LCD display
- Engine speed
- Clock & Error code
- Gauges
- Fuel level gauge
- Engine coolant temperature gauge
- Hyd. oil temperature gauge
- Warning
- Fuel level
- Check Engine & CPU
- Engine oil pressure
- Engine coolant temperature
- Hyd. oil temperature
- Low battery
- Air cleaner clogging
- Indicator
- Power max.
- Preheat & Engine warming-up
- One touch decel

Door and cab locks, one key

Two outside rearview mirrors

Fully adjustable suspension seat with seat belt

Slidable joystick, pilot-operated

Automatic swing brake

Removable reservoir tank

Water separator, fuel line

Boom holding system

Arm holding system

Counterweight (1900kg, 4190lb)

Mono boom (4.6m, 15' 1")

Arm (2.1m, 6' 11")

Am/Fm radio and cassette

• Radio remote switch

Console box tilting system (LH.)

Two front working light

Electric horn

Batteries (2 x 12V x 100AH)

Battery master switch

Starting Aid(air grid heater) cold weather

Standard bucket(0.58 m³, 0.76 yd³)

Rear - blade (550 x 2500)

Tires - dual (9.00 - 20 - 14PR)

Travel alarm

Optional Equipment

Air-conditioner (5000kcal/hr, 20000BTU/hr)

Sun visor for cabin inside

Fuel filler pump (36 ℓ /min, 9.5 USgpm)

Beacon lamp

Safety lock valve for boom cylinder with

overload warning device

Safety lock valve for arm cylinder

Single acting piping kit (breaker, etc)

Double acting piping kit (cramshell, etc)

Accumulator, work equipment lowering

12 volt power supply (DC-DC converter)

Electric. transducer

Various optional Arms

- short arm (1.90m, 6' 3")
- Semi long arm (2.50m, 8' 2")
- Long arm (3.00m, 9' 10")

Various optional Buckets (SAE heaped)

- Standard bucket (0.58m³, 0.76yd³)
- Narrow bucket (0.23m³, 0.30yd³)
- Narrow bucket (0.40m³, 0.52yd³)
- Narrow bucket (0.46m³, 0.60yd³)
- Narrow bucket (0.52m³, 0.68yd³)
- Light duty bucket (0.65m³, 0.85yd³)
- Light duty bucket (0.71m³, 0.93yd³)
- Slope finishing bucket(0.45m³, 0.59yd³)
- Ditching bucket(0.55m³, 0.72yd³)

Cabin lights

Cabin FOPS/FOG(ISO 10262)

Cabin roof cover(Transparent type)

Lower frame under cover

Pre heating system

Fuel warmer

Tool kit

Operator suit

Special cowling

- Air vent type side door

Hydraulic adjustable boom(4.9 m, 16' 1")

Undercarriage

- Rear outrigger
- Rear dozer and front outrigger
- Rear and front outrigger
- Rear outrigger and front dozer

Manual throttle cable for emergency

Tiers - dual (9.00 - 20 solid)

CUMMINS B3.9-C Engine : 86 kW / 115 HP
 Operating Weight : 13,500 ~ 14,900 kg (29,760 ~ 32,850 lb)
 Bucket Capacity, SAE : 0.23 ~ 0.71 m³(0.30 ~ 0.93 yd³)

Tier II Engine



Standard and optional equipment may vary. Contact your Hyundai dealer for more information. The machine shown may vary according to International standards. All US measurement rounded off to nearest pounds or inches.



HEAD OFFICE 1 CHEONHA - DONG, DONG-KU, ULSAN, KOREA
 (Sales Office) TEL : (82)(52)230-7970, 7729 FAX (82)(52)230-7979, 7720
 U.S. Operation 955 ESTES AVENUE ELK GROVE VILLAGE IL., 60007
 TEL : (1)847-437-3333 FAX : (1)847-437-3574
 European Operation VOSSENDAAL 11, 2440 GEEL, BELGIUM
 TEL : (32)14-562200 FAX : (32)14-593405 - 06

PLEASE CONTACT

www.hyundai-ce.com

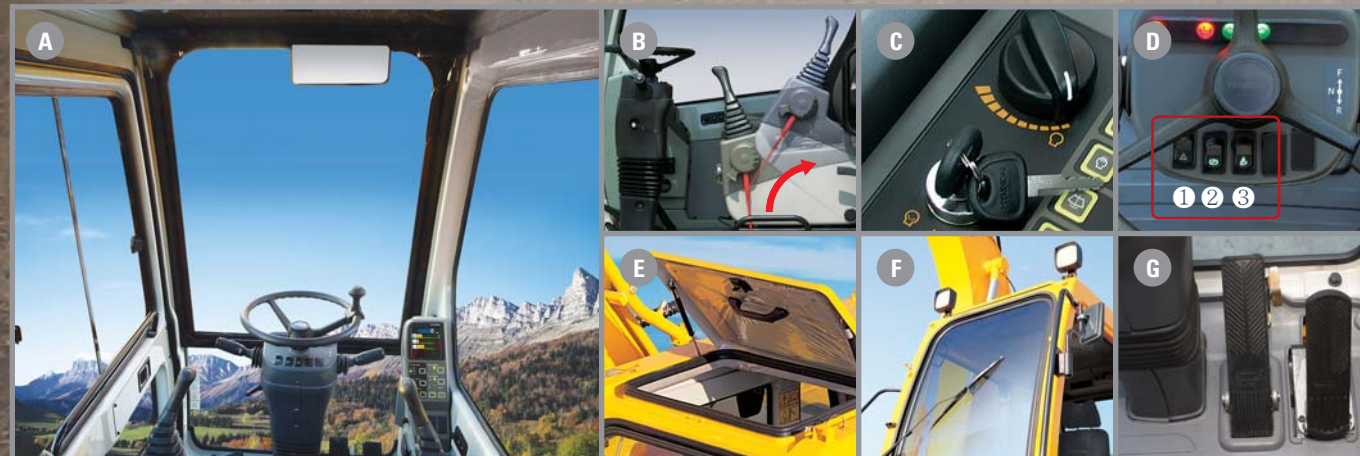
2004. 03 Rev 1

■ Photo may include optional equipment.



HYUNDAI 7 Series Wheeled Excavator

The ROBEX 140W-7 provides outstanding performance, working harder and faster in a variety of job conditions. Hyundai's ROBEX 7 series features a comfortable operating environment with advanced ergonomics.



A Wide Cab with Excellent Visibility

The cab is roomy and ergonomically designed with low noise level and good visibility. A full view front window and large rear and side windows provide excellent visibility in all directions.

B Highly Sensitive Joystick and Easy Entrance

New joystick grips for precise control have been equipped with double switches.

C Dial Type Engine Speed Switch and Key Switch

D Front Switch Panel

① Hazard ② Parking ③ Brake Ram lock

E Steel Cover Sunroof

F Rise-up Wiper and Cabin Lights

Raise-up wiper has been designed enhanced for the better front view.

Cabin Lights enhance safety by brightly lighting the surroundings during night work (optional)

G Conveniently Designed Acceleration and Brake Pedal

Technology in Cab Design

Wide, Comfortable Operating Space

All the controls are designed and positioned according to the latest ergonomic research. Reinforced pillars have also been added for greater cab rigidity.



Operator's Comfort is Foremost. Wide Cab Exceeds Industry Standards.



Visibility

- Even more visibility than before, for safer, more efficient operating.



Excellent Ventilation

- Ventilation has been improved with the addition of the larger fresh air intake system, and with providing additional air flow throughout the cab.
- Sliding front and side windows provide improved ventilation.
- A large sunroof offers upward visibility and additional ventilation.



Comfortable Operating Environment

- The control levers and seat can be adjusted to provide maximum operator comfort.
- The seat is fully adjustable for optimum operating position, reducing operator fatigue.
- Console boxes slide forward and backward for improved accessibility.
- The proportional pressure controls reduce unnecessary exertion while ensuring precise operation.
- Large windows allow excellent visibility in all directions.



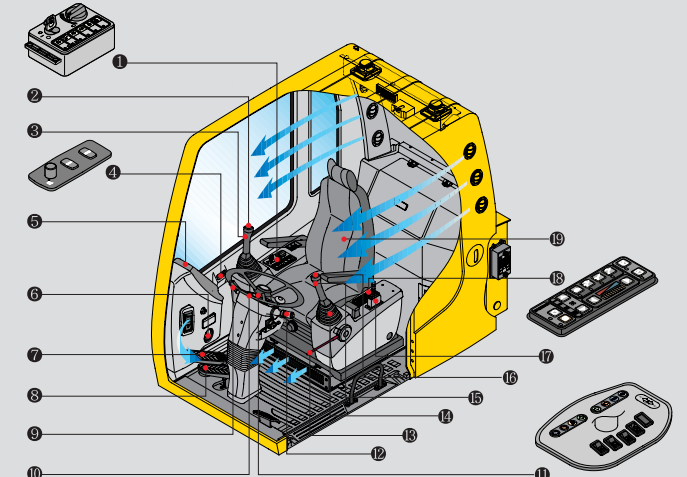
Low noise design

- The Robex 7 series was designed with low operation noise.
- Hyundai engineering helps keep interior and exterior noise levels to a minimum.
- The cab's noise levels have been additionally reduced by improving the door seals for the cab and engine compartments.
- An insulated diesel engine compartment with sound-damping material also reduces noise.

Operating Environment

The best working conditions in a pleasant environment.

- 1 Switch panel(R.H)
- 2 Horn button
- 3 Option button(breaker operation)
- 4 Remote radio control
- 5 Cluster
- 6 Hour meter
- 7 Accel. pedal
- 8 Brake pedal
- 9 Multi function switch(R.H)
- 10 Steering
- 11 Switch panel(Front)
- 12 Multi function switch(L.H)
- 13 Safety lever
- 14 Joystick control lever
- 15 Power Max. button
- 16 One touch decel. button
- 17 Dozer blade Lever
- 18 Air conditioner and heater controller
- 19 Fully adjustable suspension seat



Easy-to-Reach Control Panels

Switches and other essential controls are located near the operator. This helps keep operator movement to a minimum, enhancing control with less operator fatigue.

- | | |
|-------|---|
| Left | • Power boost
• One touch deceleration |
| Right | • Horn
• Optional |



Deluxe Cassette and Remote Radio Control



Storage box and Cup Holder

An additional storage box and a cup holder are located behind operator's seat, and they keep food and beverages cool or hot.



Rear Emergency Exit Window

Rear exit window is designed with easy exit for operator's safety.



Improved Intelligent Display

Instrument panel is installed in front of RH console box. It is easy to check all critical systems with easy-to-read indicators.

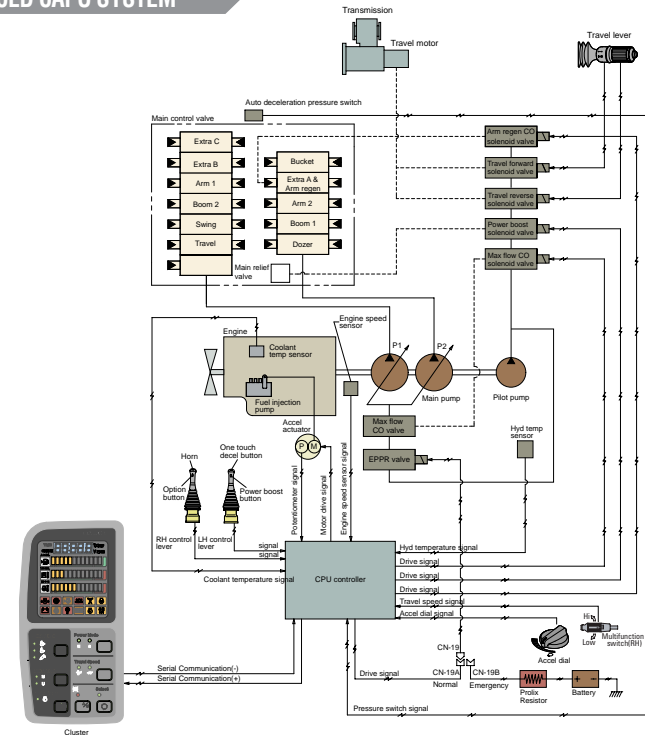


Adjustable Steering Column

Advanced Hydraulic System



ADVANCED CAPO SYSTEM



Advanced CAPO System

The advanced CAPO (Computer Aided Power Optimization) system maintains engine and mutual pump power at optimum levels. Mode selections are designed for various work loads and maintaining high performance while reducing fuel consumption.

Features such as auto deceleration and power boost are included in the system. The system monitors engine speed, coolant temperature, and hydraulic oil temperature. Contained within the system are self diagnostic capabilities which are displayed by error codes on the cluster.

Self-Diagnosis System

The CPU controller diagnoses problems in the CAPO system caused by electric and hydraulic malfunctions and displays them on the LCD monitor of the cluster through error codes. This controller has the capacity to identify 48 distinct types of errors. As the information from this device, such as engine rpm, main pump delivery pressure, battery voltage, hyd. temperature, and the state of all types of electric switches provides the operator with a much more exact state of machine operating condition.

This makes the machine easier to troubleshoot when anything does go wrong.

Arm Flow Regeneration System

Arm flow regeneration valve provides smooth arm-in operation without cavitation.

Boom & Arm Holding System

The Holding valves in the main control valve prevents the boom & arm from dropping over an extended period in neutral position.

One Touch Decel System

When the one touch decel switch is pressed, CPU controller controls the accel actuator to reduce engine speed to 850 rpm. And then the one touch decel switch is pressed again, the engine speed recovers.

Auto Deceleration System



When remote-control valves are in neutral position more than 4 seconds, CPU controller instructs the accel. actuator to reduce engine speed to 1200rpm. This decreases fuel consumption and reduces cab noise levels.

Max. Flow Cut-off System

For precise control and finishing work, the Max. Flow Cut-off System reduces pump flow, thus allowing smooth operation.

Pump Flow Control System

In neutral position: Pump flow is reduced to a minimum to eliminate power loss.
In operation: Maximum pump flow is delivered to the actuator to increase the speed. With movement of the control lever, pump flow is automatically adjusted and the actuator speed can be proportionally controlled.

Hydraulic Damper in Travel Pedal

Improved travel controllability & feeling by shock reducing when starting and stopping.

NEW MODE CONTROL SYSTEM

POWER MODE

H mode : High power
S mode : Standard power

WORK MODE

Heavy duty
General
Breaker

USER MODE

M mode : Maximum Power
U mode : Memorizing Operator's Preferable Power Setting

Automatic Engine Overheat Prevention

If the engine coolant temperature gets too high, the CPU controller lowers the engine speed and cools the engine.

Anti Restart System

The new system protects the starter from re-starting during engine operation, even if the operator accidentally turns the start key again.

Power boost control System

When the power boost system is activated, digging power increases about 10%. It is especially useful when extra power is temporarily needed, for instance, when digging hard earth and rock, or if the bucket teeth are stopped by a stubborn tree root.

Automatic Warming-up System

After the engine is started, if the engine coolant temperature is low, the CPU controller increases the engine speed and automatically increases the pump flow rate to warm up the engine more effectively.



Increased Higher Performance and durability



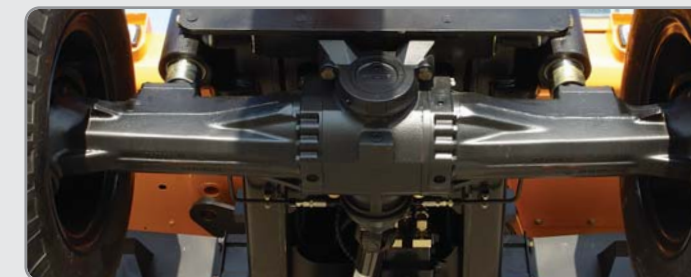
Strong and Stable Lower Frame

Reinforced box-section frame is all welded, low-stress, high-strength steel. It guarantees safety and resistance against external impact when driving on rough ground and working on wet sites through high tensile strength steel panels, with protection cover for transmission.



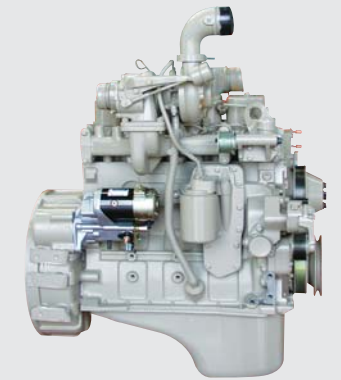
Axle

Because axle housing acts as a brake oil tank, protection against heat is improved. In case of brake disc is worn away, Interval of disk is controlled automatically. Enlarged bolt size of wheel rim increases durability and stability.



CUMMINS B3.9-C ENGINE

The four cylinders, turbo-charged, 4 cycle, charger air cooled engine is built for power, reliability, economy and low emissions.



A More Reliable Way To Reach You Dream.

The Cummins B3.9-C engine has been designed with 40% fewer parts than the competitors. That means there's less that can go wrong when you need it most. It also means fewer parts to inventory. Repairs are simplified because no special tools are needed for maintenance. The weight of the machine is reduced without sacrificing strength.

The B3.9-C engine is capable of reaching emission standards without electronic engine controls. You get a proven power plant that meets ecological concerns, without paying a premium for technology you don't need.

Reinforced Bucket and Bucket Linkage

Sealed and adjustable bucket linkage provides less wear of pins and bushes as well as silent operation. The design includes bucket link durability and anti-wear characteristics.

Additional reinforcement plates on cutting edge section. Reinforced bucket is made with thicker steel and additional lateral plate.



Powerful Dozer Blade and Dozer Blade Cylinder Guard

Large size blade's plate and cover that protect cylinder improved efficiency of work and durability of equipment.



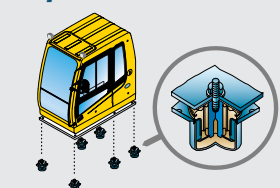
Powerful and Preciser Swing Control

Improved shock absorbing characteristics make stopping a precise and smooth action



Minimization of Shock and Vibration through Cab Mounting System

The application of Viscous Mounting to the cabin support provides the operator with a much improved ride. The working efficiency of operators will increase as the shock and noise level in the cabin decreases.





Reliability and Serviceability



Easy to Maintain Engine Components

The cooling and preheating system are provided for optimum and immediate operation, guaranteeing longer life for the engine and hydraulic components. Servicing of the engine and hydraulics is considerably simplified due to total accessibility.



Centralized Electric Control Box and Easy Change Air Cleaner Assembly

Electric control box and Air cleaner are centralized in one or the same compartment for easy service.



Highly Efficient Hydraulic Pump

Pump output and Hydraulic tank capacity have been increased. A pilot pump has been installed resulting in improved control sensitivity.



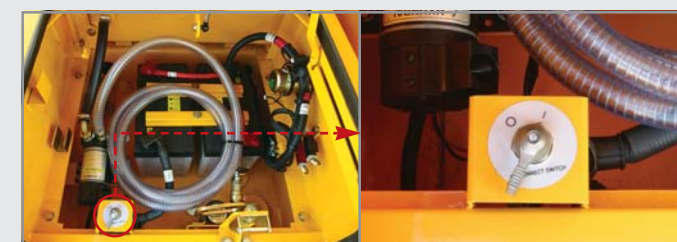
Side Cover with Left & Right Swing Open Type

Easy access to vital components gives unrestricted view of component and allows easy maintenance and repair.



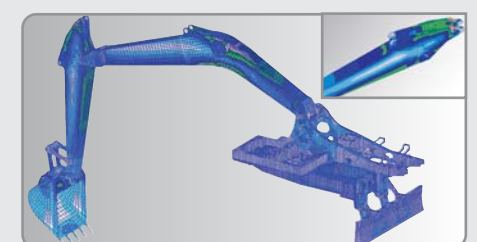
Large Capacity Fuel and Hydraulic Tanks

The capacity of fuel and hydraulic tank is increased to extend the working time.



Easy to Access Battery and Master Switch

Battery and master switch on equipment forehead enable to check and maintain easily.



Durability of structure is proven through FEM(Finite Element Method) analysis and long term durability test.

Engine

Model		Cummins B3.9-C	
Type		Water cooled, 4 cycle diesel, 4-cylinders in line direct injection, turbocharged, charge air cooled low emission	
Rated flywheel horse power	SAE	J1995 (gross)	115 HP (86 kW) at 2100 rpm
		J1349 (net)	105 HP (78 kW) at 2100 rpm
	DIN	6271/1 (gross)	117 PS (86 kW) at 2100 rpm
		6271/1 (net)	106 PS (78 kW) at 2100 rpm
Max. torque		47.7 kgf·m(345 lbf·ft) at 1500 rpm	
Bore x stroke		102 x 120 mm (4.02" x 4.72")	
Piston		3,900 cc (238 cu in)	
Batteries		2 x 12 V x 100 AH	
Starting motor		24 V- 4.5kW	
Alternator		24V-50 Amp	

Hydraulic system

Main pump	
Type	Two variable displacement piston pumps
Rated flow	2 x 130ℓ/min (34.3 US gpm / 28.6 UK gpm)
Sub-pump for pilot circuit	Gear pump
Cross-sensing and fuel saving pump system	
Hydraulic motors	
Travel	Two speed axial piston motor with brake valve
Swing	Axial piston motor with automatic brake
Relief valve setting	
Implement circuits	330 kgf/cm ² (4690 psi)
Travel	330 kgf/cm ² (4690 psi)
Power boost (boom, arm, bucket)	360 kgf/cm ² (5120 psi)
Swing circuit	240 kgf/cm ² (3410 psi)
Pilot circuit	40 kgf/cm ² (570 psi)
Service valve	Installed
Hydraulic cylinders	
Boom	: 2-105 x 75 x 1075 mm (4.1" x 3.0" x 42.3")
Arm	: 1-115 x 80 x 1188 mm (4.5" x 3.1" x 46.8")
Bucket	: 1-100 x 70 x 855 mm (3.9" x 2.8" x 33.7")
Blade	: 2-100 x 65 x 236 mm (3.9" x 2.6" x 9.3")
Outrigger	: 2-110 x 75 x 475 mm (4.9" x 3.0" x 18.7")
2-PCS boom	: 2-105 x 75 x 975mm(4.1" x 3.0" x 38.4")
Adjust(boom)	: 1-145 x 90 x 613mm(5.7" x 3.5" x 24.1")

Drives & Brakes

4-wheel hydrostatic drive. Constant mesh, helical gear transmission provides 2 forward and reverse travel speeds.

Max. drawbar pull	8500 kgf (18740 lbf)
Travel speed	1st (forward) / (reverse) 8.0(5.0)
	2nd(foward) / (reverse) 30.0(18.7)
Gradeability	35°(70 %)

Parking brake : Independent dual brake, front and rear axle full hydraulic power brake.

- Spring released and hydraulic applied wet type multiple disk brake.
- Transmission is locked at neutral position for parking, automatically.

Control

Pilot pressure operated joysticks and pedals with detachable lever provide almost effortless and fatigueless operation.

Pilot control	Two joysticks with one safety lever (LH): Swing and arm, (RH): Boom and bucket(ISO)
Engine throttle	Electric, Dial type
External Lights	Two lights mounted on the boom, one under the battery box and one under the cabin.

Axle & Wheel

Full floating front axle is supported by center pin for oscillation. It can be locked by oscillation lock cylinders. Rear axle is fixed on the lower chassis.

Tires 9.00-20-14PR, Dual(tube type) (optional) 9.00-20, Dual(solid type)

Swing system

Swing motor	Axial piston motor
Swing reduction	Planetary gear reduction
Swing bearing lubrication	Grease-bathed
Swing brake(option)	multi wet disc(pin lock type)
Swing speed	14.5 rpm

Steering system

Hydraulically actuated, orbital type steering system actuates on front wheels through the steering cylinders.

Min. turning radius 6300 mm(20' 8")

Coolant & Lubricant capacity

(refilling)	liter	US gal	UK gal
Fuel tank	270.0	71.3	59.4
Engine coolant	24.0	6.3	5.3
Engine oil	15.3	4.0	3.4
Swing device-gear oil	2.5	0.7	0.55
Axle	(front)	10.2	2.7
	(rear)	10.8	2.9
Hydraulic system(including tank)	210.0	55.5	46.2
Hydraulic tank	124.0	32.8	27.3

Undercarriage

Reinforced box-section frame is all-welded, low-stress. Dozer blade and outriggers are available. A pin-on design.

Dozer blade	A very useful addition for leveling and back filling or clean-up work.
Outrigger	Indicated for max. operation stability when digging and lifting. Can be mounted on the front/or the rear.

Operating weight (approximate)

Operating weight, including 4600mm (15' 1") One-piece boom, 2100mm (6' 11") arm, SAE heaped 0.58 m³ (0.76 yd³) backhoe bucket, lubricant, coolant, full fuel tank, hydraulic tank and the standard equipment.

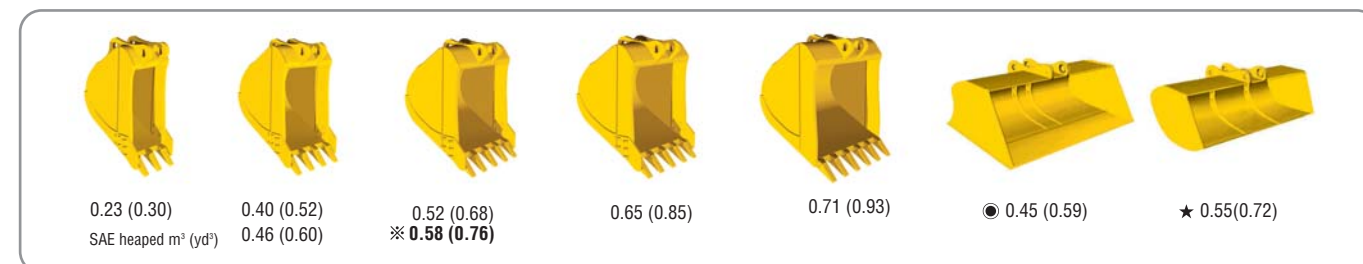
Major component weight	
Upperstructure	4,675kg (10,310 lb)
Counterweight	1,900kg (4,190 lb)
Mono boom(with arm cylinder)	1,030kg (2,270 lb)
Hydraulic adjustable boom (with adjust cylinder and arm cylinder)	1,430kg (3,150 lb)

Operating weight

Undercarriage	Mono boom	Hyd. adjustable boom
Rear dozer blade	※13,500(29,760)	13,900(30,640)
Rear outrigger	13,900(30,640)	14,300(31,530)
front outrigger and rear blade	14,500(31,970)	14,900(32,850)
front blade and rear outrigger	14,500(31,970)	14,900(32,850)
four outrigger	14,900(32,850)	15,300(33,730)

※ Standard equipment

Buckets



Capacity m ³ (yd ³)		Width mm (in)		Weight kg (lb)	Recommendation m(ft.in)							
SAE heaped	CECE heaped	Without side cutters	With side cutters		Boom	※ 4.6 (15' 1")				49(16' 1")Adjustable boom		
					Arm	1.9 (6' 3")	2.1 (6' 11")	2.5 (8' 2")	3.0 (9' 10")	1.9 (6' 3")	2.1 (6' 11")	2.5 (8' 2")
0.23 (0.30)	0.20(0.26)	520(20.5)	620(24.4)	335(740)	●	●	●	■	●	●	●	●
0.40 (0.52)	0.35(0.46)	760(29.9)	860(33.9)	410(900)	●	●	●	■	●	●	●	●
0.46 (0.60)	0.40(0.52)	850(33.5)	950(37.4)	435(960)	●	●	●	▲	●	●	●	■
0.52 (0.68)	0.45(0.59)	935(36.8)	1035(40.8)	460(1010)	●	●	■	-	●	■	■	■
※ 0.58 (0.76)	0.50(0.65)	1030(40.6)	1130(44.5)	480(1060)	●	■	▲	-	■	▲	▲	▲
0.65 (0.85)	0.55(0.72)	1110(43.7)	1210(47.6)	500(1100)	■	▲	▲	-	▲	▲	-	-
0.71 (0.93)	0.60(0.78)	1205(47.4)	-	540(1190)	▲	▲	-	-	▲	-	-	-
● 0.45 (0.59)	0.40(0.52)	1520(59.8)	-	410(900)	●	●	■	-	■	■	▲	▲
★ 0.55 (0.72)	0.45(0.59)	1800(70.9)	-	585(1290)	■	▲	▲	-	■	▲	▲	▲

※ : Standard backhoe bucket

● : Ditching bucket

★ : Slope finishing bucket

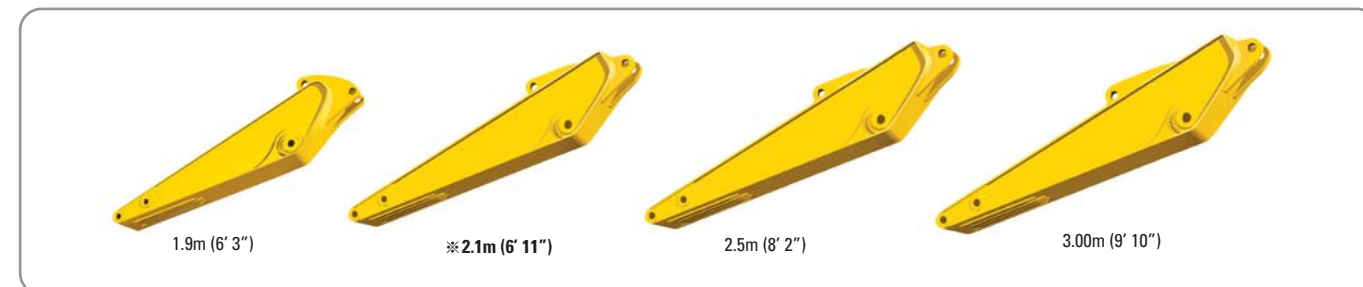
● : Applicable for materials with density of 2,000 kg / m³ (3,370 lb/ yd³) or less

■ : Applicable for materials with density of 1,600 kg / m³ (2,700 lb/ yd³) or less

▲ : Applicable for materials with density of 1,100 kg / m³ (1,850 lb/ yd³) or less

Arms

Boom and arms are of all-welded, low-stress, full-box section design. 4.6m(15' 1") mono boom and 4.9m(16' 1") adjustable boom and 1.90m(6' 3"), 2.10m(6' 11"), 2.50m(8' 2"), 3.00m(9' 10") arms are available. Buckets are all-welded, high-strength steel implements.

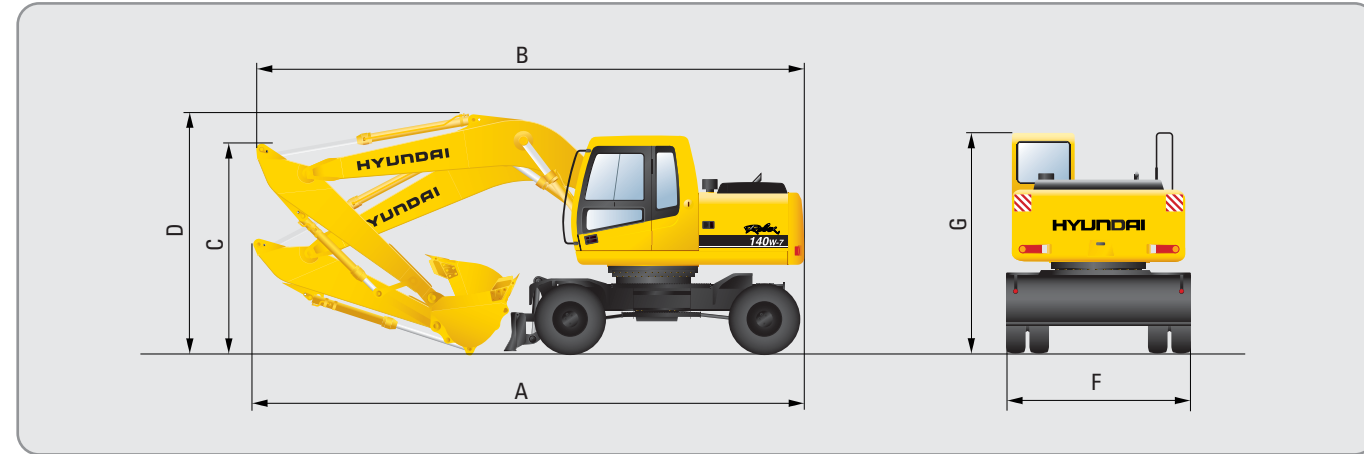


Digging force

Arm	Length	m(ft.in)	1.90 (6' 3")	※2.10 (6' 11")	2.50 (8' 2")	3.00 (9' 10")	Remark
			Weight	560 (1230)	580 (1280)	610 (1340)	
Bucket digging force	SAE	kN	83.4 [91]	83.4 [91]	83.4 [91]	83.4 [91]	[]: Power Boost
		kgf	8500 [9270]	8500 [9270]	8500 [9270]	8500 [9270]	
	lbf	18740 [20440]	18740 [20440]	18740 [20440]	18740 [20440]		
	ISO	kN	96.1 [104.8]	96.1 [104.8]	96.1 [104.8]	96.1 [104.8]	
Arm crowd force	SAE	kgf	9800 [10690]	9800 [10690]	9800 [10690]	9800 [10690]	
		lbf	21610 [23570]	21610 [23570]	21610 [23570]	21610 [23570]	
	ISO	kN	74.5 [81.3]	71.6 [78.1]	61.8 [67.4]	53.9 [59.0]	
	kgf	7600 [8290]	7300 [7960]	6300 [6870]	5500 [6020]		
lbf	16760 [18280]	16090 [17550]	13890 [15150]	12130 [13270]			
ISO	kN	78.5 [85.6]	75.5 [82.4]	64.7 [70.6]	56.9 [62.1]		
kgf	8000 [8730]	7700 [8400]	6600 [7200]	5800 [6330]			
lbf	17640 [19240]	16980 [18520]	14550 [15870]	12790 [13950]			

Note : Arm weight including bucket cylinder and linkage. ※ Standard arm

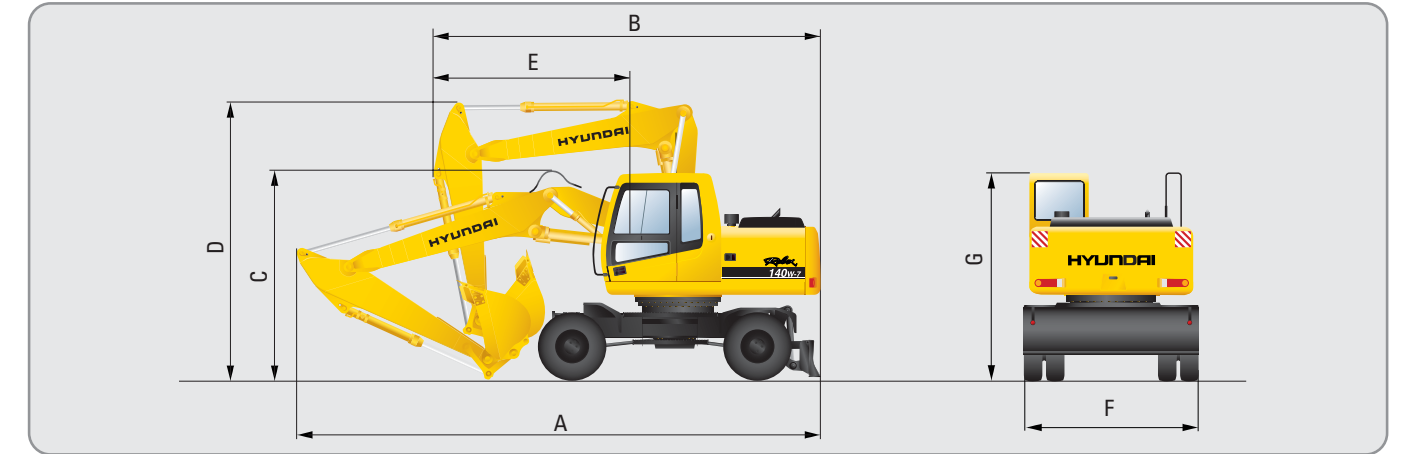
Dimensions R140W-7



	Mono Boom	※4600(15' 1")			
	Arm	1900 (6' 3")	※2100 (6' 11")	2500 (8' 2")	3000 (9' 10")
A	Overall length of shipping position	7740 (25' 5")	7800 (25' 7")	7750 (25' 5")	7760 (25' 6")
B	Overall length of traveling position	7730 (25' 4")	7740 (25' 5")	7670 (25' 2")	7680 (25' 2")
C	Height of attachment(shipping position)	2760 (9' 1")	2870 (9' 5")	2820 (9' 3")	3340 (10' 11")
D	Height of attachment(traveling position)	3500 (11' 6")	3500 (11' 6")	3620 (11' 11")	3600 (11' 10")
F	Overall width	2500 (8' 2")	2500 (8' 2")	2500 (8' 2")	2500 (8' 2")
G	Height of cabin	3140 (10' 4")	3140 (10' 4")	3140 (10' 4")	3140 (10' 4")

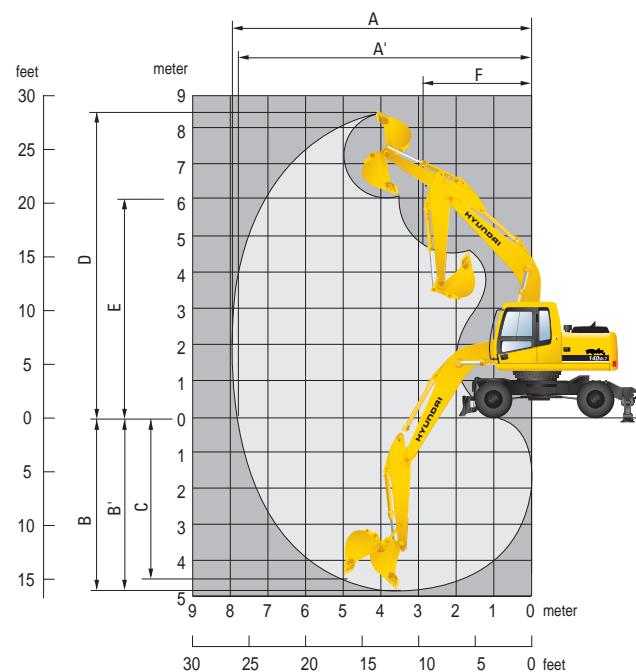
※ Standard equipment

Dimensions R140W-7 Adjustable boom



	Hydraulic adjustable Boom	4900(16' 1")		
	Arm	1900(6' 3")	2100(6' 11")	2500(8' 2")
A	Overall length of shipping position	8120(26' 8")	8150(26' 9")	8130(26' 8")
B	Overall length of traveling position	6030(19' 9")	6050(19' 10")	6080(19' 11")
C	Height of attachment(shipping position)	2960(9' 9")	3070(10' 1")	3070(10' 1")
D	Height of attachment(traveling position)	3980(13' 1")	3980(13' 1")	3980(13' 1")
E	End of attachment to steering wheel	2960(9' 9")	2970(9' 9")	3000(9' 10")
F	Overall width	2500 (8' 2")	2500(8' 2")	2500(8' 2")
G	Height of cabin	3140(10' 4")	3140(10' 4")	3140(10' 4")

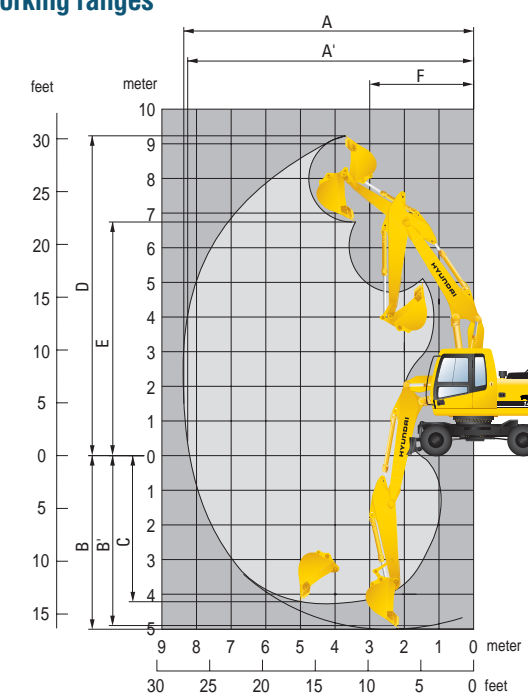
Working ranges



	Boom length	※ 4600 (15' 1")				※ 4100 (13' 5")	
	Arm length	1900 (6' 3")	※ 2100 (6' 11")	2500 (8' 2")	3000 (9' 10")	1900 (6' 3")	2100 (6' 11")
A	Max. digging reach	7750 (25' 5")	7920 (26' 0")	8330 (27' 4")	8790 (28' 10")	7250 (23' 9")	7420 (24' 4")
A'	Max. digging reach on ground	7530 (24' 8")	7700 (25' 3")	8120 (26' 8")	8590 (28' 2")	7010 (23' 0")	7190 (23' 7")
B	Max. digging depth	4620 (15' 2")	4820 (15' 10")	5220 (17' 2")	5720 (18' 9")	4210 (13' 10")	4410 (14' 6")
B'	Max. digging depth(8' level)	4360 (14' 4")	4570 (15' 0")	5020 (16' 6")	5540 (18' 2")	3950 (13' 0")	4160 (13' 8")
C	Max. vertical wall digging depth	4100 (13' 5")	4230 (13' 11")	4770 (15' 8")	5300 (17' 5")	3730 (12' 3")	3870 (12' 8")
D	Max. digging height	8420 (27' 7")	8490 (27' 10")	8820 (28' 11")	9090 (29' 10")	8020 (26' 4")	8090 (26' 7")
E	Max. dumping height	5980 (19' 7")	6060 (19' 11")	6380 (20' 11")	6640 (21' 9")	5580 (18' 4")	5650 (18' 6")
F	Min. swing radius	2620 (8' 7")	2680 (8' 10")	2630 (8' 8")	2670 (8' 9")	2350 (7' 9")	2470 (8' 1")

※ Standard Equipment

Working ranges



	Boom length	4900 (16' 1")		
	Arm length	1900 (6' 3")	2100 (6' 11")	2500 (8' 2")
A	Max. digging reach	8130 (26' 8")	8310 (27' 3")	8720 (28' 7")
A'	Max. digging reach on ground	7920 (26' 0")	8100 (26' 7")	8510 (27' 11")
B	Max. digging depth	4790 (15' 9")	4980 (16' 4")	5390 (17' 8")
B'	Max. digging depth(8' level)	4670 (15' 4")	4870 (16' 0")	5280 (17' 4")
C	Max. vertical wall digging depth	4030 (13' 3")	4210 (13' 10")	4650 (15' 3")
D	Max. digging height	9110 (29' 11")	9220 (30' 3")	9570 (31' 5")
E	Max. dumping height	6630 (21' 9")	6740 (22' 1")	7080 (23' 3")
F	Min. swing radius	2660 (8' 9")	2810 (9' 3")	2670 (8' 9")

• Boom : 4.6 m (15' 1") • Arm : 3.0 m (9' 10") • Bucket : 0.58 m³ (0.76 yd³) SAE heaped • With rear dozer blade down and 1,900kg Counterweight

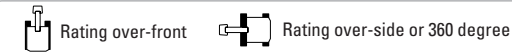
Load point height m(ft)	Load radius										At max. reach			
	1.5 m(5.0 ft)		3.0 m(10.0 ft)		4.5 m(15.0 ft)		6.0 m(20.0 ft)		7.5 m(25.0 ft)		Capacity		Reach	
													m (ft)	
6.0 m 20.0 ft	kg lb										*2340 *5160	1480 3260	7.46 (24.5)	
4.5 m 15.0 ft	kg lb										*2450 *5400	1200 2650	8.14 (26.7)	
3.0m 10.0 ft	kg lb					*3300 *7280	*3300 *7280	*2910 *6420	2090 4610	*1740 *3840	1350 2980	*2570 *5670	1070 2360	8.46 (27.8)
1.5 m 5.0 ft	kg lb			*7150 *15760	6110 13470	*4470 *9850	3160 6970	*3460 *7630	1960 4320	*2150 *4740	1290 2840	2630 5800	1040 2290	8.46 (27.8)
Ground Line	kg lb	*3710 *8180	*3710 *8180	*8850 *19510	5620 12390	*5390 *11880	2930 6460	*3940 *8690	1840 4060	*1790 *3950	1240 2730	2780 6130	1090 2400	8.15 (26.7)
-1.5 m -5.0 ft	kg lb	*5740 *12650	*5740 *12650	*9180 *20240	5490 12100	*5790 *12760	2820 6220	*4140 *9130	1780 3920			*3020 *6660	1280 2820	7.48 (24.5)
-3.0 m -10.0 ft	kg lb	*8350 *18410	*8350 *18410	*8490 *18720	5540 12210	*5500 *12130	2830 6240					*3110 *6860	1750 3860	6.31 (20.7)
-4.5 m -15.0 ft	kg lb			*6360 *14020	5780 12740									

• Boom : 4.9 m (16' 9") • Arm : 2.5 m (8' 2") • Bucket : 0.58 m³ (0.76 yd³) SAE heaped • With rear dozer blade down and 1,900kg Counterweight

Load point height m(ft)	Load radius										At max. reach							
	1.5 m(5.0 ft)		3.0 m(10.0 ft)		4.5 m(15.0 ft)		6.0 m(20.0 ft)		Capacity		Reach							
													m (ft)					
6.0 m 20.0 ft	kg lb											*2440 *5380	2200 4850	*2360 *5200	1480 3260	7.38 (24.2)		
4.5 m 15.0 ft	kg lb											*2680 *5910	*2680 *5910	*2570 *5670	2150 4740	*2450 *5400	1190 2620	8.07 (26.5)
3.0m 10.0 ft	kg lb	*5450 *12020	*5450 *12020	*3640 *8020	3310 7300	*2990 *6590	2030 4480	*1970 *4340	1310 2890			*2560 *5640	1060 2340	8.39 (27.5)				
1.5 m 5.0 ft	kg lb	*5940 *13100	5630 12410	*4700 *10360	3000 6610	*3500 *7720	1890 4170	*2490 *5490	1260 2780			2680 5910	1030 2270	8.39 (27.5)				
Ground Line	kg lb	*6260 *13800	5360 11820	*5430 *11970	2810 6190	*3910 *8620	1780 3920					2830 6240	1090 2400	8.08 (26.5)				
-1.5 m -5.0 ft	kg lb	*8860 *19530	5360 11820	*5670 *12500	2740 6040	*4050 *8930	1750 3860					2980 6570	1290 2840	7.40 (24.3)				
-3.0 m -10.0 ft	kg lb	*8020 *17680	5490 12100	*5300 *11680	2790 6150													

NOTES
 1. Lifting capacity are based on SAE J1097, ISO 10567.
 2. Lifting capacity of the Robex Series does not exceed 75% of tipping load with the machine on firm, level ground or 87% of full hydraulic capacity.
 3. The load point is a hook (standard equipment) located on the back of the bucket.
 4. (*) indicates load limited by hydraulic capacity.

Lifting capacities R140W-7 Adjustable boom



• Boom : 4.9 m (16' 9") • Arm : 1.9 m (6' 3") • Bucket : 0.58 m³ (0.76 yd³) SAE heaped • With rear dozer blade down and 1,900kg Counterweight

Load point height m(ft)	Load radius						At max. reach			
	3.0 m(10.0 ft)		4.5 m(15.0 ft)		6.0 m(20.0 ft)		Capacity		Reach	
									m (ft)	
6.0 m 20.0 ft	kg lb			*2740 *6040	*2740 *6040			*2640 *5820	1780 3920	6.69 (21.9)
4.5 m 15.0 ft	kg lb	*3970 *8750	*3970 *8750	*3230 *7120	*3230 *7120	*2970 *6550	2090 4610	*2730 *6020	1400 3090	7.45 (24.4)
3.0m 10.0 ft	kg lb			*4160 *9170	3220 7100	*3330 *7340	1990 4390	*2850 *6280	1230 2710	7.80 (25.6)
1.5 m 5.0 ft	kg lb			*5110 *11270	2950 6500	*3760 *8290	1880 4140	*3000 *6610	1200 2650	7.81 (25.6)
Ground Line	kg lb	*6110 *13470	5390 11880	*5650 *12460	2810 6190	*4070 *8970	1800 3970	*3160 *6970	1290 2840	7.46 (24.5)
-1.5 m -5.0 ft	kg lb	*8550 *18850	5460 12040	*5650 *12460	2800 6170	*4010 *8840	1800 3970	*3270 *7210	1570 3460	6.71 (22.0)
-3.0 m -10.0 ft	kg lb			*4910 *10820	2910 6420					

• Boom : 4.9 m (16' 9") • Arm : 2.1 m (6' 11") • Bucket : 0.58 m³ (0.76 yd³) SAE heaped • With rear dozer blade down and 1,900kg Counterweight

Load point height m(ft)	Load radius						At max. reach			
	3.0 m(10.0 ft)		4.5 m(15.0 ft)		6.0 m(20.0 ft)		Capacity		Reach	
									m (ft)	
6.0 m 20.0 ft	kg lb			*2560 *5640	*2560 *5640			*2530 *5580	1690 3730	6.91 (22.7)
4.5 m 15.0 ft	kg lb			*3050 *6720	*3050 *6720	*2840 *6260	2110 4650	*2630 *5800	1340 2950	7.64 (25.1)
3.0m 10.0 ft	kg lb	*6320 *13930	6210 13690	*3990 *8800	3250 7170	*3220 *7100	2000 4410	*2750 *6060	1180 2600	7.98 (26.2)
1.5 m 5.0 ft	kg lb			*4970 *10960	2960 6530	*3680 *8110	1880 4140	*2900 *6390	1140 2510	7.98 (26.2)
Ground Line	kg lb	*6250 *13780	5360 11820	*5580 *12300	2800 6170	*4020 *8860	1790 3950	*3060 *6750	1220 2690	7.65 (25.1)
-1.5 m -5.0 ft	kg lb	*8670 *19110	5410 11930	*5660 *12480	2770 6110	*4040 *8910	1780 3920	*3200 *7050	1470 3240	6.92 (22.7)
-3.0 m -10.0 ft	kg lb			*5060 *11160	2860 6310					

NOTES
 1. Lifting capacity are based on SAE J1097, ISO 10567.
 2. Lifting capacity of the Robex Series does not exceed 75% of tipping load with the machine on firm, level ground or 87% of full hydraulic capacity.
 3. The load point is a hook (standard equipment) located on the back of the bucket.
 4. (*) indicates load limited by hydraulic capacity.

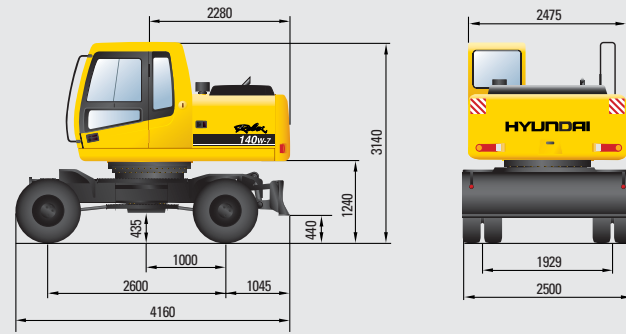


CERES SYSTEM

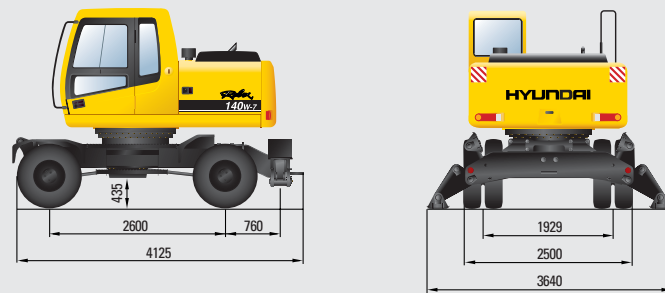
CERES(Construction Equipment Resource Support) is HHI's new information system on all Hyundai Construction equipment's products for all overseas customer, dealer and branch office.

<http://ceres.hhi.co.kr>

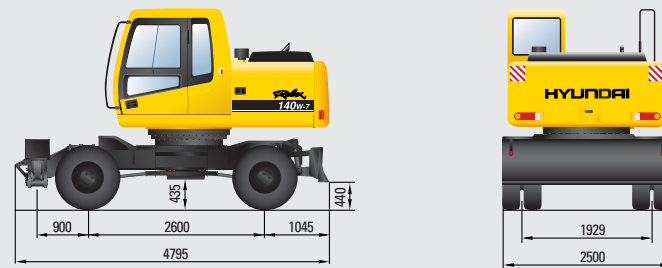
R140W-7 with rear dozer



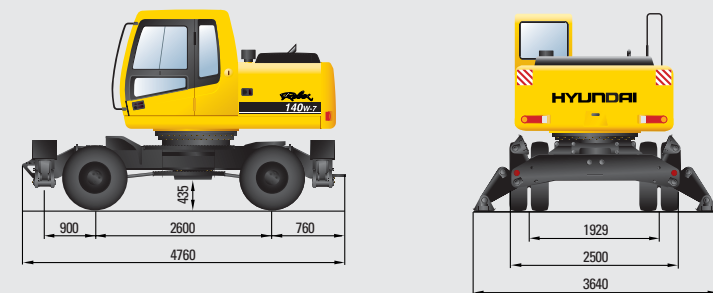
R140W-7 with rear outrigger



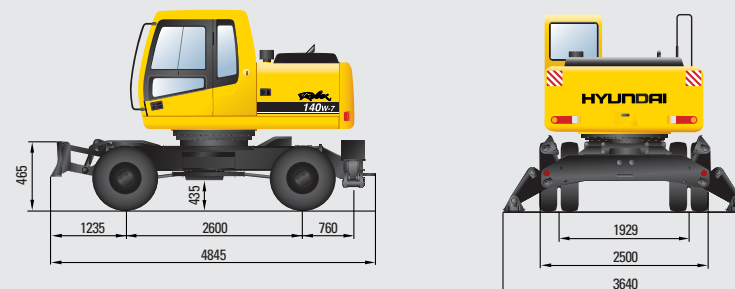
R140W-7 with rear dozer and front outrigger



R140W-7 with rear and front outrigger



R140W-7 with rear outrigger and front dozer



Lifting capacities R140W-7 Mono boom

Rating over-front Rating over-side or 360 degree

• Boom : 4.6 m (15' 1") • Arm : 1.9 m (6' 3") • Bucket : 0.58 m³ (0.76 yd³) SAE heaped • With rear dozer blade down and 1,900kg Counterweight

Load point height m(ft)	Load radius								At max. reach		
	1.5 m(5.0 ft)		3.0 m(10.0 ft)		4.5 m(15.0 ft)		6.0 m(20.0 ft)		Capacity	Reach	
											m (ft)
6.0 m 20.0 ft	kg lb				*3120 *6880	*3120 *6880			*2920 *6440	2070 4560	6.22 (20.4)
4.5 m 15.0 ft	kg lb				*3470 *7650	*3470 *7650	*2660 *5860	2100 4630	*3020 *6660	1590 3510	7.05 (23.1)
3.0 m 10.0 ft	kg lb			*6620 *14590	6380 14070	*4370 *9630	3310 7300	*3600 *7940	*3150 *6940	1400 3090	7.42 (24.3)
1.5 m 5.0 ft	kg lb			*7370 *16250	5730 12630	*5320 *11730	3070 6770	*4000 *8820	*3300 *7280	1360 3000	7.42 (24.3)
Ground Line	kg lb			*8890 *19600	5580 12300	*5850 *12900	2930 6460	*4230 *9330	*3450 *7610	1470 3240	7.06 (23.2)
-1.5 m -5.0 ft	kg lb	*7740 *17060	*7740 *17060	*8710 *19200	5630 12410	*5740 *12650	2910 6420		*3530 *7780	1820 4010	6.24 (20.5)
-3.0 m -10.0 ft	kg lb			*7070 *15590	5810 12810						

• Boom : 4.6 m (15' 1") • Arm : 2.1 m (6' 11") • Bucket : 0.58 m³ (0.76 yd³) SAE heaped • With rear dozer blade down and 1,900kg Counterweight

Load point height m(ft)	Load radius								At max. reach		
	1.5 m(5.0 ft)		3.0 m(10.0 ft)		4.5 m(15.0 ft)		6.0 m(20.0 ft)		Capacity	Reach	
											m (ft)
6.0 m 20.0 ft	kg lb				*2900 *6390	*2900 *6390			*2800 *6170	1960 4320	6.43 (21.1)
4.5 m 15.0 ft	kg lb				*3280 *7230	*3280 *7230	*3120 *6880	2130 4700	*2910 *6420	1530 3370	7.23 (23.7)
3.0 m 10.0 ft	kg lb			*6190 *13650	*6190 *13650	*4190 *9240	3330 7340	*3480 *7670	*3040 *6700	1340 2950	7.59 (24.9)
1.5 m 5.0 ft	kg lb			*8430 *18580	5770 12720	*5180 *11420	3070 6770	*3910 *8620	3180 7010	1300 2870	7.59 (24.9)
Ground Line	kg lb			*8950 *19730	5560 12260	*5780 *12740	2920 6440	*4200 *9260	*3350 *7390	1400 3090	7.24 (23.8)
-1.5 m -5.0 ft	kg lb	*7320 *16140	*7320 *16140	*8840 *19490	5580 12300	*5780 *12740	2880 6350		*3470 *7650	1710 3770	6.45 (21.2)
-3.0 m -10.0 ft	kg lb	*11630 *25640	*11630 *25640	*7390 *16290	5740 12650	*4820 *10630	2970 6550				

• Boom : 4.6 m (15' 1") • Arm : 2.5 m (8' 2") • Bucket : 0.58 m³ (0.76 yd³) SAE heaped • With rear dozer blade down and 1,900kg Counterweight

Load point height m(ft)	Load radius								At max. reach		
	1.5 m(5.0 ft)		3.0 m(10.0 ft)		4.5 m(15.0 ft)		6.0 m(20.0 ft)		Capacity	Reach	
											m (ft)
6.0 m 20.0 ft	kg lb								*2600 *5730	1710 3770	6.92 (22.7)
4.5 m 15.0 ft	kg lb					*2880 *6350	*2880 *6350	*2860 *6310	*2700 *5950	1370 3020	7.66 (25.1)
3.0 m 10.0 ft	kg lb			*5330 *11750	*5330 *11750	*3820 *8420	3380 7450	*3240 *7140	*2820 *6220	1210 2670	8.00 (26.2)
1.5 m 5.0 ft	kg lb			*8040 *17730	5910 13030	*4900 *10800	3110 6860	*3730 *8220	2910 6420	1170 2580	8.00 (26.2)
Ground Line	kg lb	*3740 *8250	*3740 *8250	*8820 *19440	5580 12300	*5650 *12460	2920 6440	*4110 *9060	3100 6830	1250 2760	7.67 (25.2)
-1.5 m -5.0 ft	kg lb	*6380 *14070	*6380 *14070	*9070 *20000	5540 12210	*5820 *12830	2860 6310	*4140 *9130	*3240 *7140	1490 3280	6.94 (22.8)
-3.0 m -10.0 ft	kg lb	*9660 *21300	*9660 *21300	*7960 *17550	5650 12460	*5210 *11490	2900 6390		*3210 *7080	2170 4780	5.64 (18.5)

NOTES 1. Lifting capacity are based on SAE J1097, ISO 10567.
2. Lifting capacity of the Robex Series does not exceed 75% of tipping load with the machine on firm, level ground or 87% of full hydraulic capacity.
3. The load point is a hook (standard equipment) located on the back of the bucket.
4. (*) indicates load limited by hydraulic capacity.