



<b>OPERATING WEIGHT</b>	<b>3.9 t</b>
<b>ENGINE OUTPUT</b>	<b>36.9 kW (50 HP)</b>
<b>BUCKET CAPACITY</b>	<b>0.65-1.0 m<sup>3</sup></b>
<b>TIPPING LOAD, STRAIGHT</b>	<b>2.75 t</b>
<b>TIPPING LOAD, ARTICULATED</b>	<b>2.47 t</b>



## Wheeled Loader TL65

### Technical data

Engine	
Manufacturer, model	Deutz, D 2011 L04
Type	4-cylinder diesel engine, EC phase III A, COM (2008)
Combustion	4-stroke cycle, direct fuel injection
Displacement	3,100 cm <sup>3</sup>
Net power rating at 2,300 rpm (ISO 9249)	36.9 kW (50 hp)
Cooling system	external oil cooling
Electrical system	
Nominal voltage	12 V
Lighting system in compliance with German and European standards.	
Power transmission	
Hydrostatic drive, closed circuit, independent from loader hydraulics. Perfected driving automatics, automatic adjustment of drawbar pull and speed. Hydraulic motor power shift providing two speed ranges. Infinitely variable speed control forward and reverse. 4-wheel drive from reduction gear on rear axle via cardan shaft to front axle. Brake inching pedal.	
<b>2 speed ranges:</b>	
"Low"	0-7 km/h
"High"	0-20 km/h
<b>4 speed ranges (high-speed version optional):</b>	
"Low"	0-6.5 / 0-18 km/h
"High"	0-14 / 0-36 km/h
Axles	
<b>Front:</b> Rigid planetary final drive axle. Limited slip-type differential.	
<b>Rear:</b> Oscillating (with cushioning) planetary final drive axle, with integrated reduction gear. Limited slip-type differential.	
Oscillation	± 12°
Tires	
Standard	365/70 R 18 EM 01
Option	340/80 R 18 XCML Michelin
Option	365/70 R 18 MPT 70 E Conti
Option	365/70 R 18 SPT 9 Dunlop
Non-standard tires available on request	
Brakes	
<b>Service brake:</b> Hydraulically actuated center-mounted drum brake, acting on all 4 wheels via 4-wheel drive.	
<b>Auxiliary brake:</b> Hydrostatic drive provides dynamic braking.	
<b>Parking brake:</b> Mechanically operated drum brake at front axle.	
Steering	
Articulated, 2 steering cylinders with final positioning damping on both sides, fully hydraulic through Load-Sensing priority valve, quick and easy steering even at engine idle-running speed.	
Total steering angle	80°
Fluid Capacities	
Fuel tank	75 l
Hydraulic system (incl. tank)	55 l

### Operating data, standard equipment

Operating weight (ISO 6016)	3,900 kg
Tipping load, straight, arms horizontal (ISO 14397-1)	2,750 kg
Tipping load, articulated, arms horizontal (ISO 14397-1)	2,475 kg
Total length, bucket on ground	4,780 mm
Total width	1,700 mm
Turning radius at outside bucket edge	3,870 mm
Wheelbase	1,950 mm
Total height (top of cab)	2,610 mm

### Hydraulic system

Max. pump capacity	41 l/min
Max. working pressure	250 bar

**Control unit:** Proportional hydraulic valve with 3 control circuits and high-speed control for tilting. Simultaneous, independent control of all movements. Single, four-way control lever (multi-function lever) for 1 tilt and 1 lift cylinder with integrated travel direction selector switch and switch for additional control circuit. Float position in control circuit "Lowering", electro-hydraulically operated. Additional control circuit including quick couplers and continuous operation function provided as standard.

### Loader frame

Loader installation featuring true parallel linkage and integrated mechanical (optionally hydraulic) quick-attach system.

General-purpose bucket (ISO 7546)	0.65 m <sup>3</sup>
Lift capacity at ground level (ISO 14397-2)	33,000 N
Breakout force at bucket edge (ISO 14397-2)	37,000 N

### Fork Lift Attachment

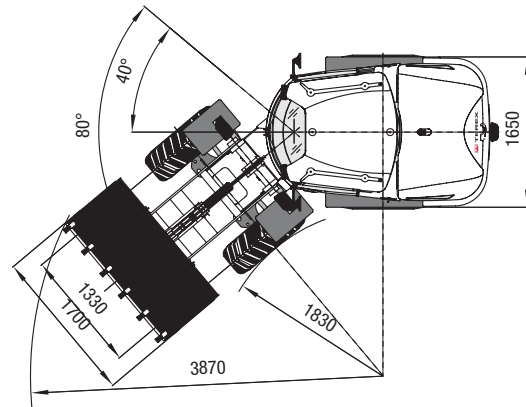
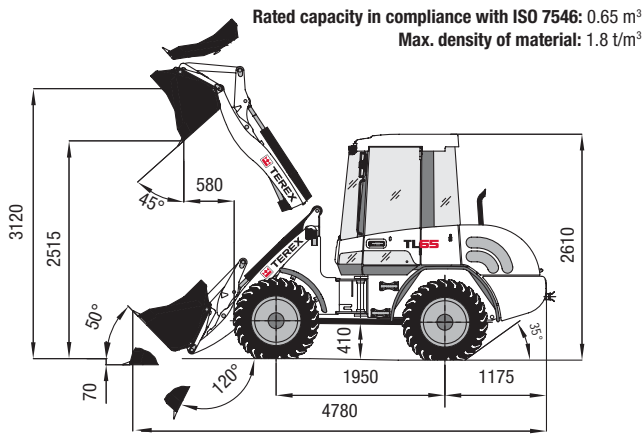
Payload over the total lift and steering range	1,550 (1,650*) kg
Payload in transport position, approx. 300 mm above ground level, total steering range	1,900* kg
Width of fork carrier	1,240 mm
Length pallet forks (100x40 mm)	900 mm
Stability factor	1,25
Payload determined on level ground = 80 % of tipping load, articulated	

### Cab

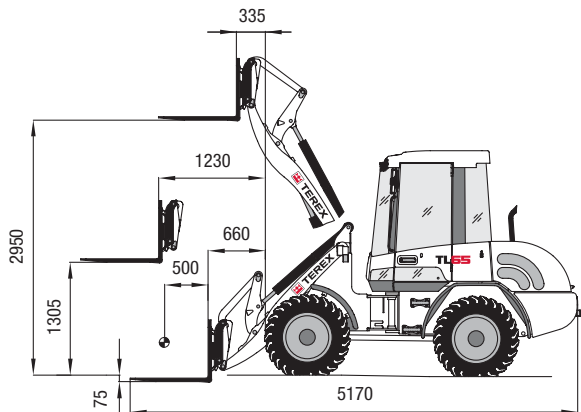
Rubber-mounted full-vision steel cab, ROPS (acc. to ISO 3471) and FOPS** (acc. to ISO 3449) certified.	
Cab featuring two doors, electric windshield intermittent wipers and washer (front and rear), tinted panoramic safety glass, sliding window on left-hand side.	
Driver's seat with hydraulic cushioning and lap belt, weight-adjustable, in compliance with ISO 7096 and ISO 6683.	
Cab heating with 3-speed heater fan (choice fresh air/recirculating air) and windshield defroster, front and rear.	
Air conditioning and radio pre-installation.	
Tilt adjustable steering wheel.	
2 working floodlights, front.	
Sound level values in compliance with EC-directives.	
*With rear axle weights	
**FOPS-compliant only with protective roof grate (optional)	

# Wheeled Loader TL65

## Dimensions: General-Purpose Bucket

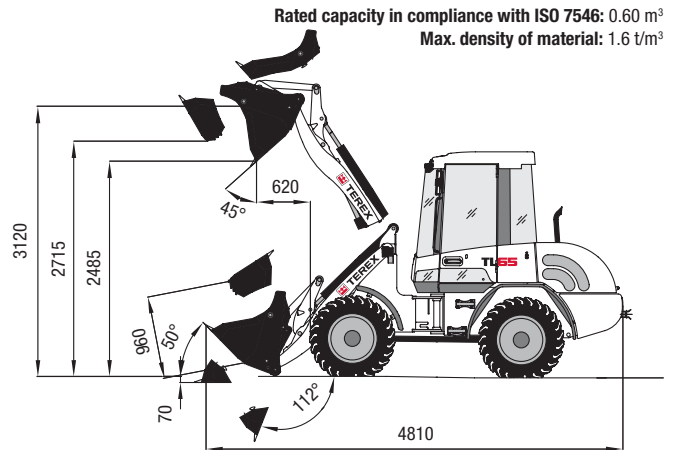


## Fork Lift Attachment



Payload over total lift range: 1,550 (1,650\*) kg  
Payload, transport position: 1,900\* kg  
\*With rear axle weights

## Multi-Purpose Bucket



## Bucket Type

	Capacity	Density	Width	Dump height
General-purpose bucket, QAS, teeth	0.65 m <sup>3</sup>	1.8 t/m <sup>3</sup>	1,700 mm	2,515 mm
General-purpose bucket, QAS, bolt-on cutting edge	0.65 m <sup>3</sup>	1.8 t/m <sup>3</sup>	1,700 mm	2,480 mm
Earth bucket, QAS, teeth	0.72 m <sup>3</sup>	1.6 t/m <sup>3</sup>	1,700 mm	2,455 mm
Earth bucket, QAS, bolt-on cutting edge	0.72 m <sup>3</sup>	1.6 t/m <sup>3</sup>	1,700 mm	2,420 mm
Light-material bucket, QAS, bolt-on cutting edge	0.80 m <sup>3</sup>	1.2 t/m <sup>3</sup>	1,700 mm	2,420 mm
Light-material bucket, QAS, bolt-on cutting edge	1.00 m <sup>3</sup>	0.8 t/m <sup>3</sup>	1,850 mm	2,380 mm
Multi-purpose bucket, QAS	0.60 m <sup>3</sup>	1.6 t/m <sup>3</sup>	1,700 mm	2,485 mm
Side-dump bucket, (QAS), without teeth	0.50 m <sup>3</sup>	1.8 t/m <sup>3</sup>	1,750 mm	2,480 mm
High-tip bucket, (QAS), without teeth	0.65 m <sup>3</sup>	1.2 t/m <sup>3</sup>	1,850 mm	3,390 mm
Quarry bucket, QAS	0.55 m <sup>3</sup>	1.8 t/m <sup>3</sup>	1,850 mm	2,500 mm
<b>Examples of Material Densities</b>				
Granite, Basalt, Sand (damp), Gravel (damp), Slate:	1.8 - 2.2 t/m <sup>3</sup>	Topsoil, Clay, Mineral coal:	1.1 - 1.6 t/m <sup>3</sup>	
Sandstone, Gypsum, Limestone, Soil (damp), Sand (dry), Gravel (dry):	1.5 - 1.8 t/m <sup>3</sup>	Wood chips (dry), Compost, Coke:	0.2 - 1.0 t/m <sup>3</sup>	



Terex GmbH Schaeffstrasse 8  
D-74595 Langenburg, Germany

PHONE +49 (0)7905 / 58-0 FAX +49 (0)7905 / 58114  
EMAIL info@terex-schaeff.com WEB terex-schaeff.de